

TIRE VALVES

Passenger Car & Light Truck Tubeless Tire Valves

Snap-in Tubeless Rubber Tire Valves



TR NO.	ETRTO NO. (REF. NO)	RIM HOLES	EFF. LENGTH (mm)	PARTS		A	B	C
				CORE	CAP			
TR412	V2.03.6	11.5 (.153" DIA)	22			33	22	15
TR413	V2.03.1	11.5 (.453" DIA)	30			42.5	32	15
TR414	V2.03.2	11.5 (.453" DIA)	38			48.5	38	15
TR414L	V2.03.8	11.5 (.453" DIA)	45	9002#	Vc8	56.5	46	15
TR418	V2.03.4	11.5 (.453" DIA)	49			61.5	51	15
TR423		11.5 (.453" DIA)	62			74	63.5	15
TR415	V2.03.3	16.5 (.625" DIA)	30			42.5	32	19.2
TR425		16.5 (.625" DIA)	49			61.5	51	19.2
TR438	V2.03.5	8.8 (.346" DIA)	32			40.5	31	11

Max Cold Inflating Pressure 450kpa/65psi At Room Temperature

Decorate-Sleeve & Cap valves

Tubeless Tire Valve, Chromed Straight Type

Tubeless Tire Valve, Chromed Loudhailer Type



Colorful Aluminum Sleeve & Caps Rubber Tire Valve



Colorful ABS Sleeve & Caps Rubber Tire Valve



TIRE VALVES

Tubeless Metal Clamp-in Tire Valves



TR NO.	ETRTO NO. (REF NO.)	REF LENGTH (mm)	RIM HOLES (mm/in)	PARTS			
				HUBBER GROMMET	WASHER	NET	GAP
TR33E	V-3	Ø14x33	Ø11.5 / .453"	HRG2X2	RW5	HN2X2	ET/A-CAP
TR43E	V-4	Ø14x33					
TR48E	V-5	Ø14x48					
VS-6	WH204	Ø14x40					
TR63E	V-7	Ø14x63					
TR26E	V-8	Ø14x34					
TR26G, PVR43A	VS-8	Ø16x38		HRG1, HG2	RW12	HN2X2	ET/A-CAP
VS-8+7		Ø16x45					
VS-8+12		Ø16x50					
VX8XL		Ø16x62					
PVR75A	VS-8-45, WH303	Ø16x53-45					
VS-8-90°		Ø16x63-90					
VS-9		Ø18.5x29.5					
TR6008C	TRJF944	Ø17.5x34	Ø16 / .625"	RG39			
TR1991B	WH402	Ø19x34	Ø11.5 / .453"	RG39	RW8	HN4	AT
			Ø16 / .625"	RG54			
TR-435		Ø19x34	Ø11.5 / .453"	RG54	RW8	HN4	ET
TR67E	S131-90°	Ø14x30x38.2-90		HRG2X2	RW8	HN4	ET
PVR152		Ø16x65-90		RG54	RW8	HN4	ET
PVR153		Ø17x70-90		RG54	RW8	HN4	ET

Tubeless Metal Clamp-in Tire Valves



TR NO.	REF LENGTH (mm)	RIM HOLES (mm/in)	PARTS			
			RUBBER GROMMET	WASHER	NUT	CAP
MS525S	Ø17.5x41.5	Ø11.5x .453"	RG9 RG54	RW15	HN6	VE8
MS525L	Ø17.5x41.5	Ø11.5x .453"	RG9 RG54	RW15	HN7	VE8
MS525AL	Ø17x42	Ø11.5x .453"	RG9 RG54	RW15	HN9	VE8

TIRE VALVES

Aluminum Valve

Only plastic or aluminum cap is fitted
Only nickel plated #9002 can be used.

- * Various colored valves to match different color rims
- * Light weight
- * Anodized treatment to prevent the color fading and protect against the corrosion



Aluminum TPMS Valve



TPM-01 TPM-02 TPM-03 TPM-04 TPM-05 TPM-06 TPM-07 TPM-08 TPM-09 TPM-10 TPM-11 TPM-12

Valve Stem Core



9001 9002 9003 9004 8001 8002 8003 8004 7001 7002 7003 7004 6001 6002 6003 6004

TIRE VALVES

Tubeless Metal Clamp-in Tire Valves



FOR Ø16 (.625" DIA.) RIM HOLES							
TR NO.	ETRTO NO.	REF. LENGTH (mm)	PARTS				
			CORE	RUBBER GROMMER	WASHER	NUT	CAP
TR500	V3.21.3	Ø19x55	9002#	RG15	RW8	HN13	
TR501	V3.21.2	Ø19x42					
TR502	64MS15.7	Ø19x64					
TR570	V3.21.4	Ø19x84					VC2
TR571	V3.21.5	Ø19x90					OR
TR572	V3.21.6	Ø19x100					
TR573	V3.21.7	Ø19x115					
TR574	V3.21.8	Ø19x131					
TR575	V3.21.1	Ø19x33					
TR570C	V3.21.9	Ø19x84/90° or 27°					
TR571C	V3.21.10	Ø19x90/90° or 27°					VC2
TR572C	V3.21.11	Ø19x100/90° or 27°					
TR573C	V3.21.12	Ø19x115/90° or 27°					VC3
TR574C		Ø19x131/90° or 27°					
TR570P		Ø22x18					

TIRE VALVES

Tubeless Nickel Plated O-Ring Seal Clamp-in Valves

For Alcoa aluminum truck wheels recommended torque at installation: 80-125 inch-pounds / 9/14Nm



Straight Type

TR NO.	A
TR542	32
TR543	59
TR544	73
TR545	89
TR546	108
TR547	119



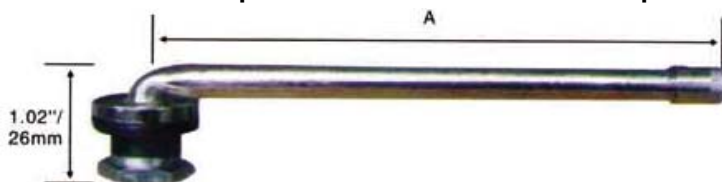
Bend Type

TR NO.	A	B	α
TR543C	24	35	45
TR543D	25	35	60
TR543E	25	35	75
TR544D	25	49	60
TR544E	25	49	75
TR545B	35	55.8	26
TR545-36	25	66	36
TR545D	25	66	60
TR545E	25	66	75
TR546B	25	85	26
TR546-36	25	85	36
TR546D	25	85	60
TR546E	25	85	75
TR546G	25	85	105
TR547D	25	96	60

RIM HOLE	GROMMET	NUT	CORE	CAP
.382" (9.7mm) / .394" (10mm)	RG60	HN21	9002#	DT (VC-L)

Tubeless Clamp-in Valves for Drop Center Aluminum Disc Wheels

Recommended torque at installation: 100-125 inch-pounds / 11-14Nm



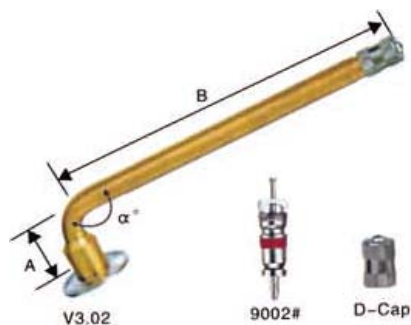
TR NO.	A
TR509	4.75" / 121mm
TR510	5.50" / 140mm
TR511	4.25" / 108mm

RIM HOLE	GROMMET	NUT	COLE	CAP
625 / 15.7mm	RG46	HN17	9002#	D-CAP

TIRE VALVES

Michelin Type Screw-on Universal Valves for Truck and Bus

Single Bend Type



ETRTO NO.	A	B	α°
V3.20.2	22.5	43	120
V3.20.3	33	44.5	95
V3.20.4	39.8	44.5	110
V3.20.5	20.5	47.5	90
V3.20.7	22.5	71.5	100
V3.20.8	20.5	89.5	94
V3.20.9	20.5	99.5	94
V3.20.10	20.5	115	94
V3.20.11	20	126	98
V3.20.12	20.5	132	94
V3.20.13	20.5	133.5	90
V3.20.14	20.5	138.5	94
V3.20.15	20.5	145.5	94
V3.20.16	20.5	149.5	90
V3.20.17	20.5	156.5	90
V3.20.18	22.5	74.5	90
V3.20.19	20.5	60	94
V3.20.23	29.5	66.5	90
V3.20.24	20.5	117	90
V3.20.27	20	75	94

Air-Liquid Valves for Agricultural Tractors



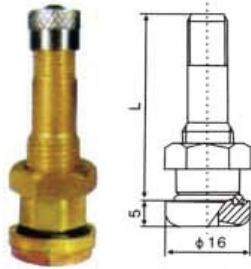
TR NO.	ETRTO NO.	REF. LENGTH (mm)	CORE HOUSING		PARTS			
			CORE	O-RING	RUBBER GROMMET	WASHER	NUT	CAP
TRCH3	V4.02.1	Ø11x36	9002#	HGR33 (V9.11.6)				VC3 or VC2
TRCH1		Ø11x36						
TR618A	V5.01.1	Ø22.5x30 / 510	TR CH3		RG7	RW11	HN1	
TR618		Ø22.5x56						

TR NO.	ETRTO NO	REF. LENGTH (mm)	CORE HOUSING		PARTS				A	B	α°
			CORE	O-RING	RUBBER GROMMET	WASHER	NUT	CAP			
TR621A	V5.02.1	Ø22.5x93/113/65°	9002#		RG7	RW11	HN1	VC3 or VC2	39	54.5	115
TR622A	V5.02.2	Ø22.5x137/95/90°							44.5	94.5	90
TR623A	V5.02.3	Ø22.5x74/95/65°	TR CH3						39	36.5	115

TIRE VALVES

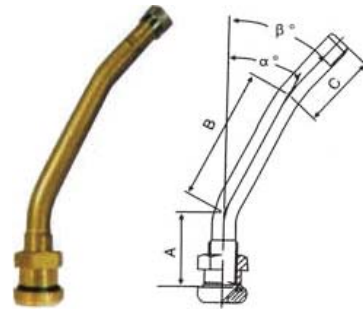
European Style O-Ring Seal Clamp-in Valves

For wheels with wide base rims 15° tapered recommended torque at installation: 12-15 Nm / 105=130 inch-pounds



Straight Type

ETRTO NO.	RIM HOLE	L
V3.20.1	.382" / 9.7mm	36
V3.20.3	.382" / 9.7mm	82



Double Bend Type

ETRTO NO.	A	B	C	α°	β°
V3.20.11	25	45	25	27°	42°



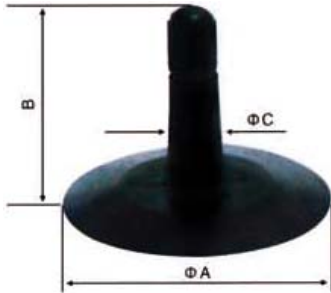
Single Bend Type

ETRTO NO.	A	B	α°
V3.20.2	30	60	27°
V3.20.4	25	60	27°
V3.20.5	25	40	27°
V3.20.6	25	85	27°
V3.20.7	25	50	27°
V3.20.8	29	85	12°
V3.20.9	45	52	27°
V3.20.10	50	25	27°
V3.20.12	25	70	27°

TIRE VALVES

Tire Valves for Passenger Car and Light Truck

Tube Valves for Motorcycle and Scooters



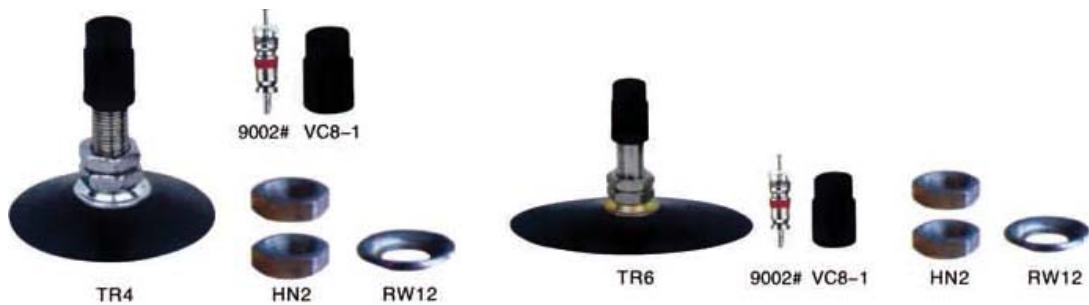
TR NO.	ETRTO NO.	RIM HOLE	A	B	C
TR13	V2.01.1	.453" / 11.3mm	57	38	11.6
TR15	V2.01.2	.625" / 15.7mm	57	38	16.5

Tube Valves for Motorcycle and Scooters



TR NO.	REF. LENGTH (mm)	RIM HOLES (mm/in)	PARTS			
			RUBBER GROMMET	WASHER	NUT	CAP
PVR70	32.5x30x90°	Ø11.5 / .453				VC8-E
PVR71L	32.5x45x90°	Ø11.5 / .453				VC8-E
PVR32	Ø15x54x90°	Ø11.5 / .453			SNM5	VC8-E
PVR79L	Ø15x72x90°	Ø11.5 / .453	HRG4 HG4		SNM5	VC8-E
PVR30	35.2x72x90°	Ø11.5 / .453	HRG2 HG2		NH2	VC8-E

Tube Valves for Motorcycle and Scooters



TR NO.	ETRTO NO.	REF. LENGTH (mm)	PARTS			
			CORE	WASHER	NUT	CAP
TR4 (1.09.1)	Z1-10-2 (TZ5-33)	Ø45x34	9002#	RW12	HN2x2	VC8-E or VC8
TR6		68/42x34.5		YD6	LM6 YM6	
Z1-10-1	Z1-10-2 (TZ5-30)	Ø40x31		YD6	LM5 YM5	
Z1-10-3	Z1-10-2 (TZ5-40)	Ø50x41		YD6	V9.03.2	
V1.06.1	V1.06.1	Ø25x26/34				

TIRE VALVES

Tire Valve Cap

 <p>TV-C1901 ALUMINUM</p>	 <p>TV-C1902 ALUMINUM</p>	 <p>TV-C1903 ALUMINUM</p>	 <p>TV-C1904 ALUMINUM</p>	 <p>TV-C1905 ALUMINUM</p>
 <p>TV-C1906 ALUMINUM</p>	 <p>TV-C1907 ALUMINUM</p>	 <p>TV-C1908 ALUMINUM</p>	 <p>TV-C1909 ALUMINUM</p>	 <p>TV-C1910 ALUMINUM</p>
 <p>TV-C1911 ALUMINUM</p>	 <p>TV-C1912 ALUMINUM</p>	 <p>TV-C1913 ALUMINUM</p>	 <p>TV-C1914 ALUMINUM</p>	 <p>TV-C1915 ALUMINUM</p>
 <p>TV-C1916 ALUMINUM</p>	 <p>TV-C1917 ALUMINUM</p>	 <p>TV-C1918 ALUMINUM</p>	 <p>TV-C1919 ALUMINUM</p>	 <p>TV-C1920 ALUMINUM</p>
 <p>TV-C1921 ALUMINUM</p>	 <p>TV-C1922 COPPER</p>	 <p>TV-C1923 COPPER</p>	 <p>TV-C1924 ABS & COPPER SCREW</p>	 <p>TV-C1925 ABS & COPPER SCREW</p>
 <p>TV-C1927 ABS & COPPER SCREW</p>	 <p>TV-C1928 ABS & COPPER SCREW</p>	 <p>TV-C1929 ABS & COPPER SCREW</p>	 <p>TV-C1930 ABS & COPPER SCREW</p>	 <p>TV-C1931 ABS & COPPER SCREW</p>

TIRE VALVES

Tire Valve Cap

 <p>TV-C1932 ABS & COPPER SCREW</p>	 <p>TV-C1933 ABS & COPPER SCREW</p>	 <p>TV-C1934 ABS & COPPER SCREW</p>	 <p>TV-C1935 ABS & COPPER SCREW</p>	 <p>TV-C1936 ABS & COPPER SCREW</p>
 <p>TV-C1937 ABS & COPPER SCREW</p>	 <p>TV-C1938 ABS & COPPER SCREW</p>	 <p>TV-C1939 ABS & COPPER SCREW</p>	 <p>TV-C1940 ABS & COPPER SCREW</p>	 <p>TV-C1941 ABS & COPPER SCREW</p>
 <p>TV-C1942 ABS & COPPER SCREW</p>	 <p>TV-C1943 ABS & COPPER SCREW</p>	 <p>TV-C1944 ABS & COPPER SCREW</p>	 <p>TV-C1945 ABS & COPPER SCREW</p>	 <p>TV-C1946 ABS & COPPER SCREW</p>
 <p>TV-C1947 ABS & COPPER SCREW</p>	 <p>TV-C1948 ABS & COPPER SCREW</p>	 <p>TV-C1949 ABS & COPPER SCREW</p>	 <p>TV-C1950 ABS & COPPER SCREW</p>	 <p>TV-C1951 ABS & COPPER SCREW</p>
 <p>TV-C1952 ABS & COPPER SCREW</p>	 <p>TV-C1953 ABS & COPPER SCREW</p>	 <p>TV-C1954 ABS & COPPER SCREW</p>	 <p>TV-C1955 ABS & COPPER SCREW</p>	